

# *Sacramento Valley Detecting Buffs*

*A Nonprofit Organization  
The Public is Invited to Attend  
SVDB Newsletter  
Issue Date October 2006*



## **Sacramento Valley Detecting Buffs**

**President:** *Open Position*

**Vice President:** *John Duffy*  
[Johnmduffy@comcast.net](mailto:Johnmduffy@comcast.net)

**Secretary:** *Peter C. Johnson*  
[esteponapi@surewest.net](mailto:esteponapi@surewest.net)

**Treasurer:** *Allan Woltman*  
[looking4au@hotmail.com](mailto:looking4au@hotmail.com)

**Hunt Master:** *Rick Costello*  
961-773-9378

**Librarian:** *Tom Schweppe*  
916-988-0993

**Hospitality:** *Al Ezell*

**Newsletter:** *Rick and Sue Morris*  
916-965-4237  
[esteponapi@citlink.net](mailto:esteponapi@citlink.net)

**Day-in-the-Park:** *Volunteer*

### ***Secretary's Minutes for Meeting of September 7, 2006***

- V-P John Duffy opened the meeting promptly at 7:30, welcoming members, guests and visitors. John introduced the Board and Club volunteers. John also reported that Ron has settled in his house in Kentucky and is enjoying himself. California is on his mind, though.

### ***Treasurer's Report: Allan Woltman***

- Treasurer Allan Woltman reported the September beginning balance was \$3,875.22, with expenses of \$171.28 and income of \$665.00, with a new balance of \$4386.22. \$1200.00 was paid out for coin purchases.

### ***Secretary's Report: Peter Johnson***

- Nothing to report – except that you will have a new newsletter editor next month. Details later in this newsletter.

### ***Librarian Report: Tom Schweppe***

- Tom reported that the library was in great shape and had one new book. Check it out!

### ***Hunt Master/Mistress report***

- DeAnn has left us for greener pastures. She and her husband are moving to Salt Lake City and will be looking forward to a new life and new pursuits. We will miss you, Diane, but we wish you and your family good luck in your new digs.

### ***AMDA Business***

- There was nothing new at our meeting.

### ***New Business:***

### ***Club Patches and Decals***

- The master patch is done and it takes 35 days for 100 patches at \$3.05 per. We should have patches at the October meeting. Cost to Club members will be \$5.00 per patch. They will look good on your jacket!

### ***Club Officers***

- It's that time of the year again. Time to nominate new officers for your club. We need nominations at the October meeting – which, by the way, I will chair. You have me again!

\* [Welcome back Ace](#) – it was great to see you again. You are welcome anytime.

### ***FMDAC KIDS ESSAY CONTEST***

***I'm running this again – do we have any entrants?***

## Sacramento Valley Detecting Buffs

Fall Convention 2006 - Deadline November 7th

Topic/Question: If you could metal detect any where in the world, where would that be and why?

The essay contest is open to all children of FMDAC members from the ages of 5 to 15. The entry must include the child's name, address, age and parent's name and FMDAC club name (or Chapter Independent).

Please include the child's sex (boy or girl). Any entries that do not include the above information cannot be accepted. Because of the wide range in ages, parents may help the children with their entries.

We are giving away two detectors, one for the boys' entries and one for the girls' entries. Each child may only win one detector, and their parent must be a current member of the Federation. Thanks to Bounty Hunter for allowing us to continue this tradition.

All Entries must be received by November 7th, 2006, the day before I leave for the Convention.

Please forward all entries to:

Frank Colletti, 1439 Stephen Marc Lane, East Meadow, NY 1554 or e-mail them to: [treashunt@optonline.net](mailto:treashunt@optonline.net)

- **From our Vice President:** I have submitted our application for next year's first Thursday of the month use of the meeting room, now that the county is no longer on strike... I don't expect any problems with it being approved...

### *SVDB helps find a lot Piece of Jewelry*

#### *Lost Ring*

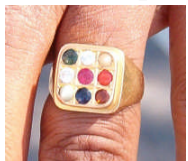
**Friday, Sept. 15, 2005**

Dear Sir,

Can you please give me some tips on how to buy/rent a gold/metal detector to find my lost ring. I know where it's lost – it's within a two-meter radius shrubs. But I am not able to find it due to fallen leaves etc. The ring is 22ct gold with nine gemstones.

Thanks Srinivas Lingam

**Sunday, Sept. 17, 2006**



Met Srinivas at noon today at the Intel facility to look for the ring. Well, it was a difficult hunt since a seven-foot hedge and one-foot thick ground cover was involved. At the very end of the search

area, which was a bit larger than 9-11 sq metrics the ring was found in the ground cover. With handshakes and thank you complete, Srinivas present the club with a \$25 dollar Toy-r-us Gift card. Another great day. Lee

**Sunday, Sept. 17, 2006**

I want to thank you one more time for your great help. I am extremely happy as that ring not because its about

Sacramento Valley Detecting Buffs

\$500 value, but because it has a sentimental value to me. Thanks for taking pains to come all the way to Folsom and take efforts to search the ring for me.

Good Luck in future Endeavors.

Regards, Srinivas

- **FMDAC Update**

**The FMDAC Fall Convention** will be held November 10th, 11th & 12th at the Bay Watch Resort in North Myrtle Beach, South Carolina.

There will be a "Free" Friday Night Beach Hunt, Saturday Silver Hunt and 2 Main Hunts on Sunday plus a "Free" Kids Hunt on Sunday.

For more information call Duane (724) 439-1380 or Jill (330) 364- 1608 or visit

The FMDAC web site at: [www.fmdac.org](http://www.fmdac.org)

- **Meetings are held at the New/Old place. The SMUD Building at the intersection of Elkhorn and Don Julio in North Highlands.**

### *SEE YOU A THE NEXT MEETING!!*

#### *SVDB Day-In-The-Park*

There are two day-in-the park hunts per month. The hunts are on the first Sunday and the third Sunday of each month. Breakfast at 8:00am with the hunt starting at 9:00 am. See the following for meeting place:

- 1<sup>st</sup> Sunday Hunt: Meet at Denny's at Watt and Auburn
- 3<sup>rd</sup> Sunday Hunts: Meet at Pancake House at 21<sup>st</sup> and Broadway

#### *SVDB Finds of the Month:*

The Show and Tell format seems to be a hit. Lots of "finds" are shown and there are prizes for those who show and tell.

Congrats to all the hunters for their nice finds!!

#### *SVDB Raffle:*

Lots of great coins are now being offered up for the Club Raffle at the meetings. These are very nice coins that would do any collection proud. Of course the amount of coins is in direct relation to the mount spent on the prior month's raffle. **BUY THOSE TICKES AND WIN!!!**

#### *A Reminder*

If you plan on hunting in **RENO** and/or **OREGON**, make sure you get a permit.

**Roseville** requires a permit to hunt. Get it at the Park and Recreation Office

## Sacramento Valley Detecting Buffs

**San Jose Parks** also require permits.

Permits—we don't need no stinkin' permits!

### Web Sites:

**TreasureBoards.com** [www.treasureboards.com](http://www.treasureboards.com)

Forums to discuss metal detecting, relic and water hunting and prospecting. Includes calendar of events, legal issues and current news of interest to hobbyists, and a classified section.

**Minelabowners.com** [www.minelabowners.com](http://www.minelabowners.com)

Place for owners and prospective owners of Minelab metal detectors to meet and chat.

**Metal Detecting the Southwestern Deserts for Placer Gold** [www.nuggethunting.com](http://www.nuggethunting.com)

Features message board where electronic prospectors can discuss outings, equipment and new finds.

**TH'ing Forum** [www.thingforum.com](http://www.thingforum.com)

Message boards and a chat room to discuss finds and share information about equipment.

**Find's Treasure Forums** [www.findmall.com](http://www.findmall.com)

Features bulletin boards for hobbyists to discuss latest or past finds, their equipment, tips and hunting strategies, buy/sell/trade items, GPS and digital imaging.

**Carolyn's Metal Detecting** [www.websterzdesign.com/cgi-bin/carolyn.pl](http://www.websterzdesign.com/cgi-bin/carolyn.pl)

Bulletin board for enthusiasts to discuss finds, equipment and research tips.

**Mongobay.com** [www.mongobay.com/](http://www.mongobay.com/)

Features forums, Newbie Zone, detector features and terms, event calendar, charts and links. fishing,

**From the FMDAC Western Chapters Vice-President's Desk:** by Lee Wiese

### **Club Evidence Search Team**

I have decided to write a number of articles over the next year related to promoting metal detecting clubs and / or the hobby in the local community. The first article is about creating and promoting a Metal Detecting Evidence Search assistance team for law enforcement. There are many law enforcement organizations (Police Departments, Sheriff Departments, State Agencies, etc.) that from time-to-time need help from people who know how to operate / use metal detectors in the search for evidence. This is a great opportunity by which clubs can achieve public service recognition that may be leveraged towards other community endeavors.

The very first thing a club needs to do is *select an evidence search leader / chairperson to head up the effort*. This person should have a strong interest in this type of activity since he will be the primary contact between law enforcement agencies and the club. The club leader will also be responsible for the development and implementation of the evidence search plan that will be used by the search team.

### **Once the chairperson has been selected the following steps should be taken:**

*contact* and discuss the idea with your local law enforcement agencies,

*identify* club volunteers and establish contact list for the evidence search team,

*develop* a search method and identify tools that will be used by the team members,

*practice* the selected search method with the club search team,

*promote* your final plan to law enforcement agencies

*update* the plan / contact list quarterly and have the chairperson report on activities at club meetings.

Let's take the first item *contact* your local enforcement agency. A good idea would be to develop a preliminary outline as to what your club can provide when called upon to assist in using metal detectors for an evidence search. In your preliminary outline take a look at how many searchers you may have available and what the club's reaction time for a request to assist would be. Make sure your law enforcement contact is involved in criminal matters and explore the club's idea with them to get their reaction. Gather their thoughts on the subject, their level of interest and who the agency contact will be in the future. If you note a good degree of interest from the various agencies proceed to the next step.

A very important next step in the club's evidence recovery assistances plan is to *identify* club members that are interested in this public service. These members should have their own equipment, be familiar with target identification, know proper recovery techniques and be available on short notice. The list should be divided into two sections:

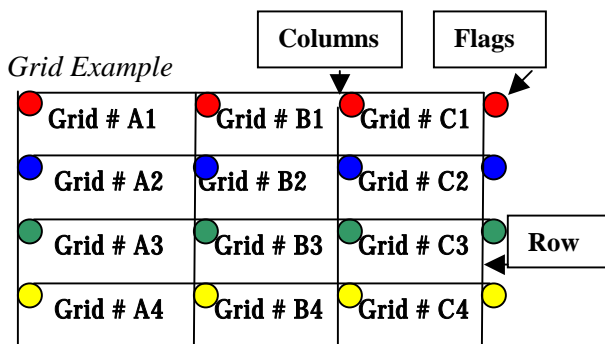
those that can be available on very short notice (at least six persons),

those that can be available to help but can not commit to short notice or a specific time period.

## Sacramento Valley Detecting Buffs

Now **develop** the method that will be used to provide a through search of a given area. There are a few issues that you as chairperson should consider.

- 1) All evidence search members should be trained in proper search methods (i.e.: detector swing speed, ground coverage or overlap, coil height, and detector setup.)
- 2) The recommended search method to use is a grid search pattern. Each club member should be assigned to a specific grid element or elements and reassigned once their portion of the grid has been searched until the object is located. See Grid Example Below.
- 3) It is also recommend that you go to a home supply store and purchase 6-10 sets of colored 15” Sprinkler Flags to outline / setup the search grid. Use the flags to highlight the grid elements on the ground being searched by using a different color for each column or row.
- 4) The grid should be documented on paper with each searchers name and where the evidence or item was found, this may become important later if the data is required during a court proceeding.
- 5) The target recovery method to be used should be discussed before the search starts so as not to damage the evidence upon recovery. Use plastic tools and gloves - do not handle the evidence directly. Before you start also give consideration to having a sample of the evidence available so that members may calibrate / check their metal detector again the sample.
- 6) There should always be a law enforcement contact on site during any recovery assistance operation and follow their direction / input for the recovery method if they suggest one.



Once the method of search has been selected have the club team **practice** on some land. Plant objects such as Sacramento Valley Detecting Buffs

bullets, shell casing and other small objects in the grid. Assign searchers to the grid elements and began the practice session. Continue this process until each member has found the assigned object on their first pass for their assigned portion of the grid. **Practice, Practice, Practice.**

**Promote** your Evidence Recovery assistance team by creating a Club Flyer or Club Brochure and personally distribute this Flyer or Brochure to your law enforcement contacts. Follow up with your contacts frequently so as to maintain visibility of the club program with them.

**Update** your process quarterly, by verifying availability of search members, review experience gained from actual evidence searches and continue to **practice** the process with team members.

This type of club promotion can be very rewarding for law enforcement, the involved club members and the club. If you have questions or comments e-mail me @: [leewiese@excite.com](mailto:leewiese@excite.com)

**This is my last newsletter – I hope you have enjoyed my endeavors over the last 4 years as much as I have enjoyed writing them. Sometimes it has been frustrating trying to meet the deadline and deliver content that you all would like all might learn from. You never disliked anything I wrote – at least you never told me. I do know for a fact that some of the information I was able to put out to you, my friends, was utilized and for that I am grateful. I will be your secretary for the foreseeable future. You will have another newsletter editor starting with the November newsletter. Now - I have announced the change, he can't back out. See you all at the October meeting. Peter**

